



DOCK LEVELER SURVEY

Instructions

- Please complete all survey questions relevant to the equipment being quoted. Survey must be completed based upon conditions at time of installation.
 - Pictures of equipment and operating environment recommended with survey.
 - Information not provided may lead to a delay in quote or order processing. NOVA TECHNOLOGY™ is not responsible for errors in quote or order processing due to missing information.
- If multiple dock positions are being quoted and conditions vary from position to position, please submit a survey for each position.

Representative Info

Reporter Name:	Company Name:
----------------	---------------

End User Info

End User/Job Name:

Dock/Position Info

Dock Number(s)/Positions(s) Surveyed:	# of Identical Positions (if applicable):
<input type="checkbox"/> Enclosed Dock (inside building)	<input type="checkbox"/> Open Dock (outside building)
Interlock <input type="checkbox"/> Vehicle Restraint <input type="checkbox"/> Door <input type="checkbox"/> Other	

Cold Storage/Cold Weather Usage?

<input type="checkbox"/> Yes	<input type="checkbox"/> No	If Yes, specify lowest temperature for equipment operation:
------------------------------	-----------------------------	---

Washdown/Corrosive Environment?

<input type="checkbox"/> Yes	<input type="checkbox"/> No	If Yes, specify washdown chemicals or corrosive substance:
------------------------------	-----------------------------	--

Existing Dock Leveler

Manufacturer:	Model/Type:
---------------	-------------

Material Handling Equipment Info

<input type="checkbox"/> 3-Wheel Forklifts	<input type="checkbox"/> 4-Wheel Forklifts
Dry Weight of Heaviest Pallet Truck/Forklift (without load):	GVWR* of Heaviest Pallet Truck/Forklift:

Truck and Trailer Types

* GROSS VEHICLE WEIGHT RATING

<input type="checkbox"/> LTL	<input type="checkbox"/> Flatbed	<input type="checkbox"/> Container	<input type="checkbox"/> Refrigerated	<input type="checkbox"/> High Cube	<input type="checkbox"/> Step Van	<input type="checkbox"/> Cargo Van
Yard Jockey usage?		<input type="checkbox"/> Yes	<input type="checkbox"/> No	Lift Gates (photos/dimensions required) <input type="checkbox"/> Yes <input type="checkbox"/> No		

Traffic Volume

<input type="checkbox"/> 1-3 transport vehicles per shift	<input type="checkbox"/> 3-6 transport vehicles per shift	<input type="checkbox"/> 6-9 transport vehicles per shift	
<input type="checkbox"/> 1-shift operation	<input type="checkbox"/> 2-shift operation	<input type="checkbox"/> 3-shift operation	<input type="checkbox"/> 24/7 operation

Voltage/Phase/Lip Length/Options/Notes/Features

--

SELECT DOCK LEVELER

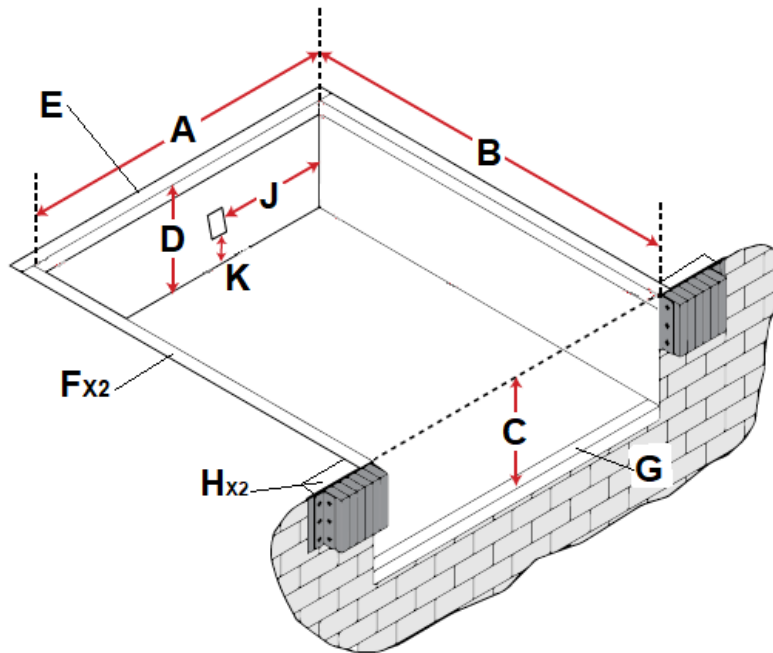
MECH 25,000 LB (CIR) 30,000 LB (CIR) 35,000 LB (CIR) 45,000 LB (CIR) 55,000 LB (CIR)
 If Unknown _____

HYD. 25,000 LB (CIR) 30,000 LB (CIR) 35,000 LB (CIR) 45,000 LB (CIR) 55,000 LB (CIR)
 75,000 LB (CIR) 100,000 LB (CIR) If Unknown _____

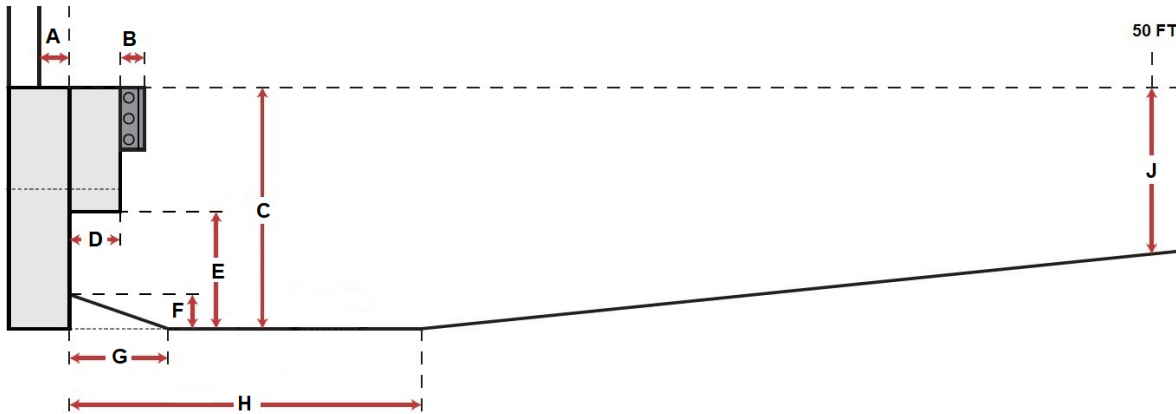
AIR 25,000 LB (CIR) 30,000 LB (CIR) 35,000 LB (CIR) 45,000 LB (CIR) 55,000 LB (CIR)
 If Unknown _____

EOD (MECH____ HYD____) 20,000 LB (CIR) 25,000 LB (CIR) 30,000 LB (CIR) 35,000 LB (CIR)
 If Unknown _____ (SEE PAGE 3 FOR SIZES)

Pit Isometric View



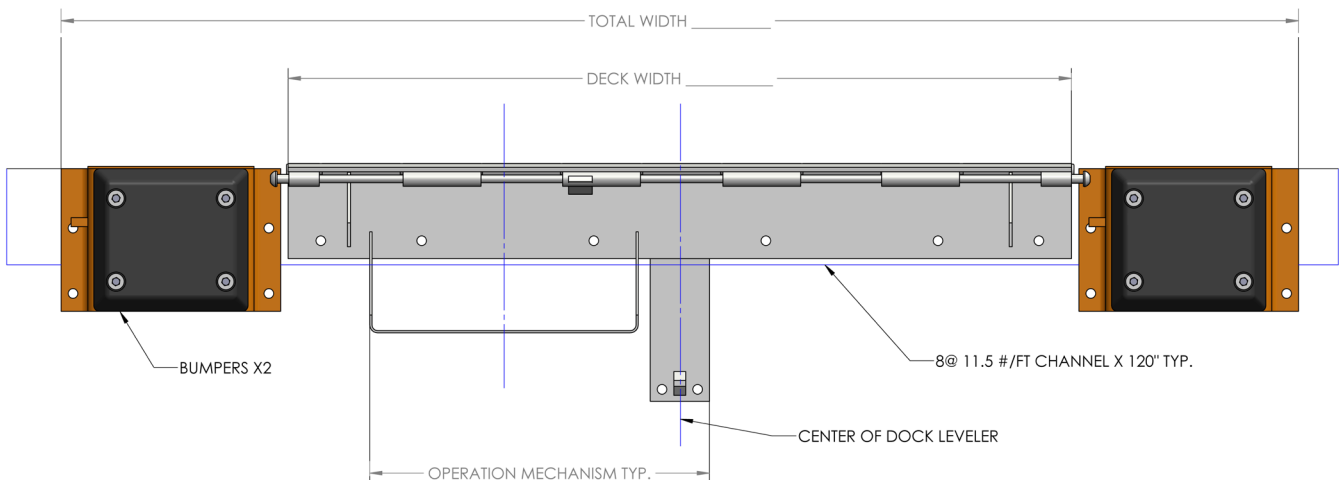
A) WIDTH		F) SIDE ANGLES	
B) LENGTH		G) LOWER ANGLE	
C) DEPTH FRONT		H) OPTIONAL	
D) DEPTH REAR		J) J-BOX HORIZ.	
E) REAR ANGLE		K) J-BOX VERT.	



A) WALL SET BACK		F) SLOPE HEIGHT	
B) BUMPER PROJECTION		G) SLOPE PROJECTION	
C) DOCK HEIGHT		H) GRADE CHANGE DIM.	
D) CANTILEVER PROJECTION		J) HEIGHT AT 50 FEET	
E) CANTILEVER HEIGHT			

HYDRAULIC		
MODEL	DECK WIDTH	TOTAL UNIT WIDTH
HED-66	66"	104"
HED-72	72"	110"
HED-78	78"	116"
HED-84	84"	122"


MECHANICAL		
MODEL	DECK WIDTH	TOTAL UNIT WIDTH
NL-66	66"	104"
NL-72	72"	110"
NL-78	78"	116"
NL-84	84"	122"



Notes:

OPTIONS

<input type="checkbox"/>	18" Lip (16" Standard) (18" Standard on 75K and 100K)
<input type="checkbox"/>	20" Lip
<input type="checkbox"/>	Rubber Weatherseal Sides
<input type="checkbox"/>	Brush Weatherseal Sides
<input type="checkbox"/>	Auto Return To Dock
<input type="checkbox"/>	Mushroom Style Emergency Stop Button
<input type="checkbox"/>	Quick Cycle Lip Extend Button (Requires Nema 12 Panel)
<input type="checkbox"/>	Non Metallic Nema 4 Control Panel (Non Interlock Single Button Panel)
<input type="checkbox"/>	Curb Angle Kit – <input type="checkbox"/> 6 Piece Angle <input type="checkbox"/> 4 Piece Angle/2 Piece Bumper Plate
<input type="checkbox"/>	3 Sided Rapid Form Pit Kit
<input type="checkbox"/>	4 Sides Pan
<input type="checkbox"/>	3 Wheel Fork Truck Protection (Option on 25K, 30K, 35K and 40K - Standard for 45K and Higher)
<input type="checkbox"/>	Laminated/Steel Face Option (Please Specify)
<input type="checkbox"/>	Omit Bumpers
<input type="checkbox"/>	24" Deep Pit Conversion (20" Standard on 6' and 8' long – 24" Standard on 10' Long)
<input type="checkbox"/>	Full Range Toe Guards <input type="checkbox"/> Yellow
<input type="checkbox"/>	2" Foam Insulation
<input type="checkbox"/>	Metal Spray <input type="checkbox"/> Galvanizing

 **WARNING:** This product can expose you to chemicals including lead, which are known to the State of California to cause cancer or birth defects or other reproductive harm. For more information go to www.P65Warnings.ca.gov