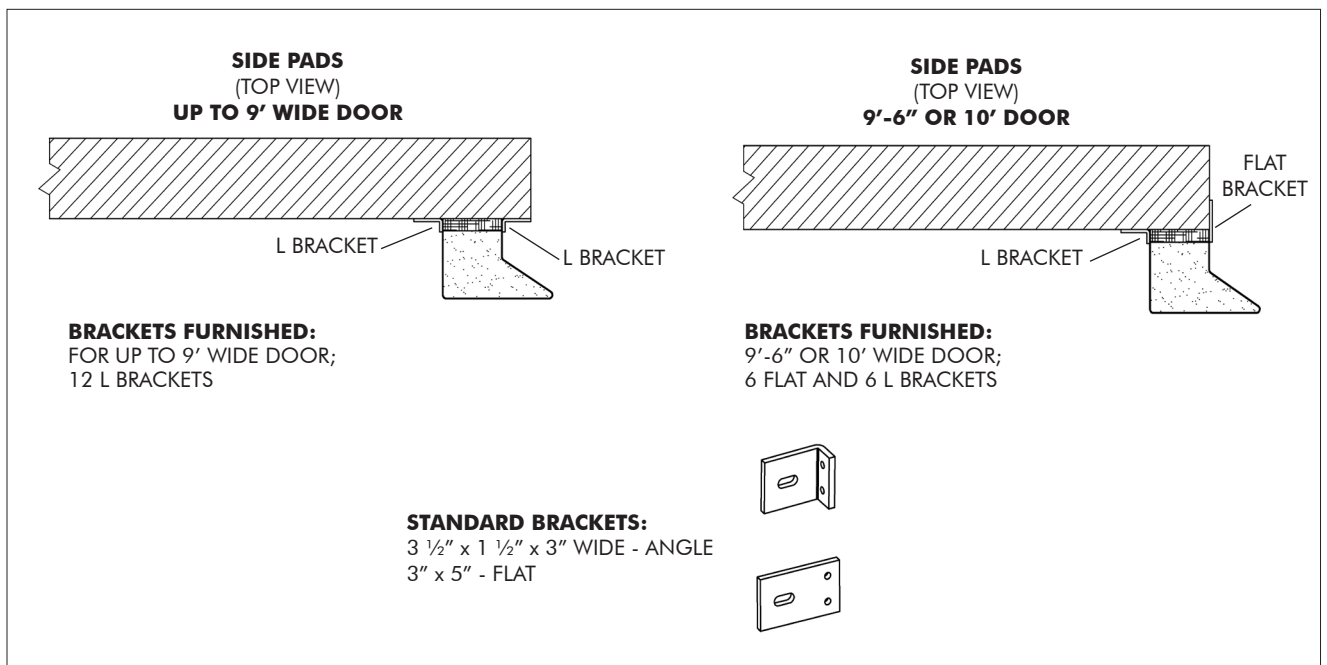


NOVA DOCK SEALS - FPHU SERIES

INSTALLATION INSTRUCTIONS

(Right or left — read from outside facing building)

- 1. DETERMINE CENTER LINE OF DOOR OPENING ON DOCK FLOOR AND POSITION OF FPHU HOOD OUTER EDGES:** Take $\frac{1}{2}$ of the hood width (hood will be 10'4" typical) and mark this distance on both sides of the center line of the door opening.
- 2. ATTACH MOUNTING BRACKETS TO SIDE PADS:** Attach three (3) pairs of brackets per pad using lag screws provided.
- 3. MOUNT SIDE PADS TO WALL:** Outside edge of side pads should be placed on mark with bottom of backing flush with dock floor. Be sure pads are plumb from top to bottom.
- 4. MOUNT 2X4 HEAD FRAME TO WALL:** Fits above and flush with outside edge of side pads.
NOTE: Three (3) anchors recommended—one middle and one near each end.
- 5. INSERT STEEL TUBE IN HEAD CURTAIN**
- 6. FASTEN HOOD TO HEAD FRAME AND OUTSIDE EDGE OF SIDE PADS:** Galvanized roofing nails are provided and should be fastened approximately 6" apart.
- 7. CAULK BETWEEN HEAD FRAME AND WALL:** Outside edges only. A silicone or butyl rubber caulk is recommended.



SUGGESTED MOUNTING METHODS

(Mounting anchors not included)

CONCRETE BLOCK OR BRICK WALL: Try to hit mortar joints. Use $\frac{1}{2}$ " or $\frac{3}{8}$ " x 4" expansion anchors. Use through bolt fastening (minimum 2 per frame member) if anchors will not hold— $\frac{3}{8}$ " threaded rod is recommended.

PRECAST CONCRETE: Same as above.

METAL SKIN BUILDING: Through bolt fastening as above. Use a back-up plate (steel or wood) to support bolts, or anchor through existing building girt or purlin when possible.



NOVA DOCK SEALS - FPHU SERIES

INSTALLATION INSTRUCTIONS

FPHU SERIES TYPICAL ARRANGEMENT

