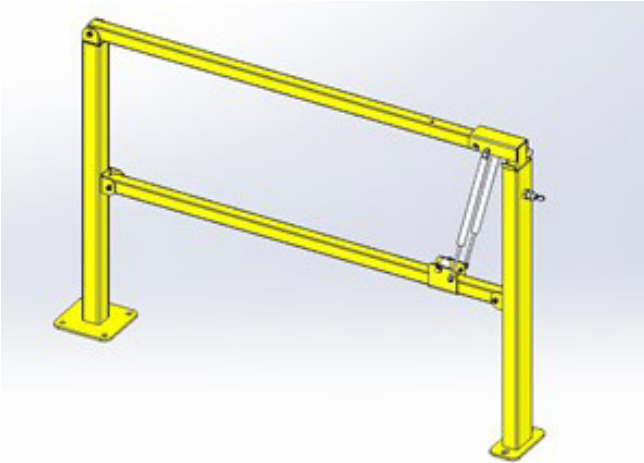


# NOVA PEDESTRIAN GATE (SINGLE) INSTALLATION INSTRUCTIONS



## NOTICE

### **BEFORE INSTALLING GATE:**

Read, understand and follow these instructions for the installation and use of this gate.

Ensure there are no overhead obstructions, air lines, electrical cables, lights or door tracks which may interfere with opening and closing this gate.

## ! WARNING

Fall Hazard! Working next to an open, elevated bay door is dangerous. A fall may result in serious injury or death.

**To ensure safety, installation of this gate must be performed with the bay door closed. If no bay door is present, workers must be tied off using an OSHA compliant Fall Arrest System rigged in fall restraint mode.**

## NOTICE

To ensure safety, two people must perform the installation of this gate.

The Nova Pedestrian Gate is designed to prevent workers from falling through an open bay door or over a similar fall edge. It meets OSHA 1910.28 "Duty to Provide Protection" and 1920.29 "Fall Protection Systems-Criteria and Practices."

It is not intended to stop a fork truck or any other powered mobile equipment.

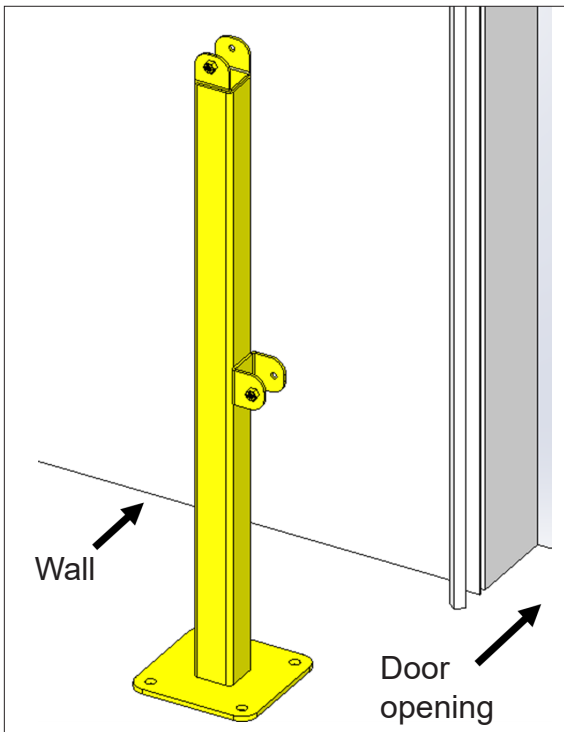


Tools needed to install this Gate:

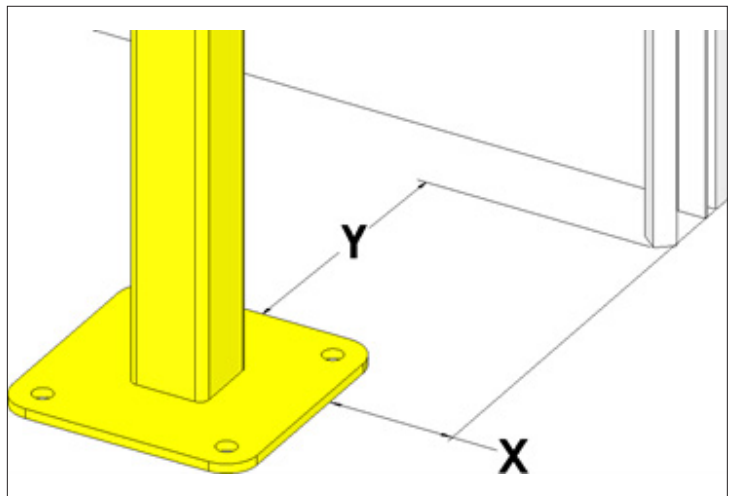
- Hammer drill and 1/2-inch diameter carbide-tipped concrete drill bit, 8 inches long minimum.
- Pairs of combination wrenches: 3/4, 9/16 and 1/2 inch.
- Rubber mallet.
- Flat blade screwdriver.
- Magnetic level.
- Tape measure or framing square to perform step 2.
- 5-gallon pail or stand around 18 inches tall to rest Gate Rails on during assembly.
- “Sharpie” or other felt marker for marking Post locations.
- 3/8-16 UNC tap to clean out possible powder coat from welded nuts.

## NOTICE

To ensure safety, two people must perform the installation of this gate.



Step 1: Place Post Weldment on side of Bay Door from which you want the gate to swing up.

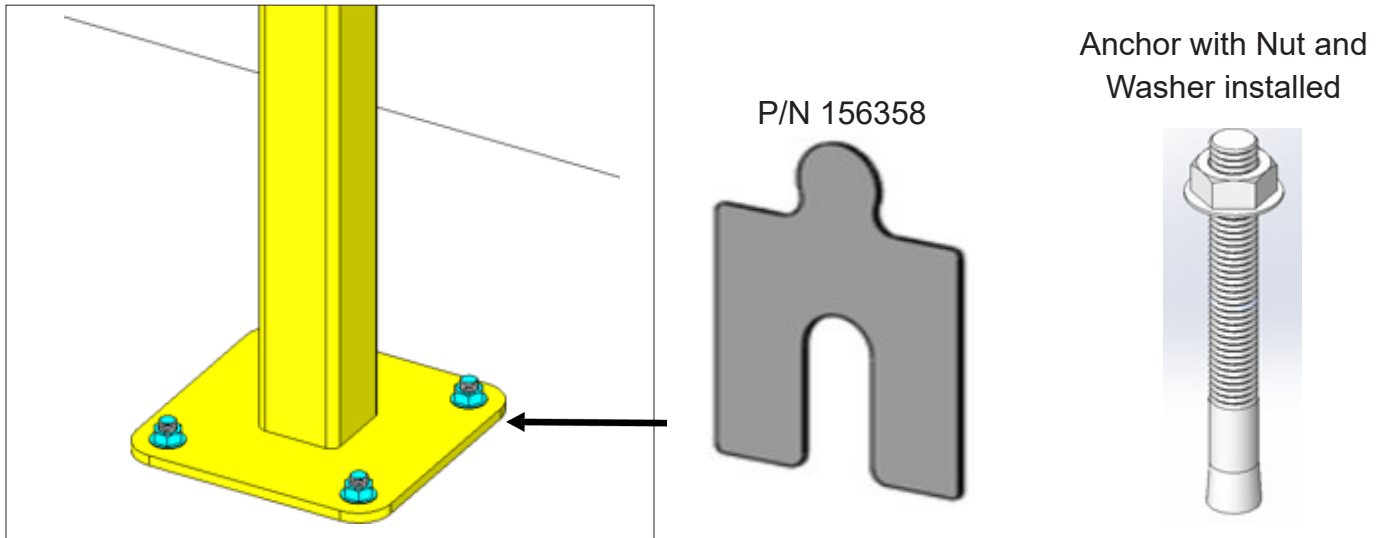


Step 2: Locate Post Weldment based on dimensions shown.

X= 4 inches from side of bay door opening.

Y= 9 inches from point on door track.

Using the felt marker, transfer (1) hole location from the Plate to the concrete floor.



Step 3: Set Post to the side and use hammer drill and concrete bit to drill the (1) hole.

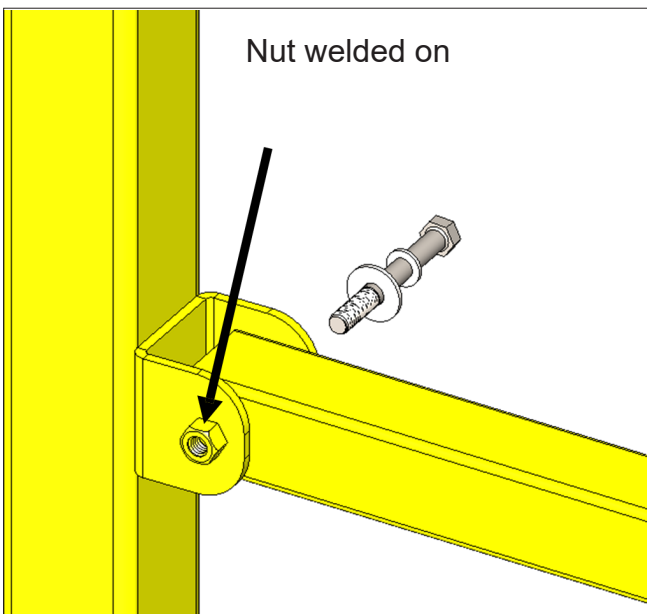
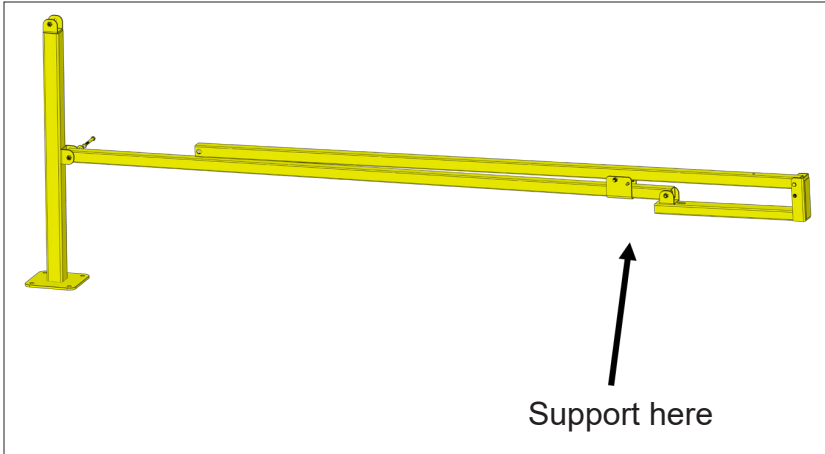
**NOTE: See instructions below for drilling and installing concrete wedge anchors.**

1. Set Post back in place. Tap Anchor into drill hole with Nut and Washer attached.
2. Re-square Plate to Wall and snug Anchor by tightening Nut.
3. Using the Plate as a guide, drill hole and install Anchor in opposite diagonal corner.
4. Drill the last (2) holes and install Anchors in the remaining corners. Snug these Anchors.
5. Check Post for Plumb using your magnetic level.
6. Use Shims provided in Gate Kit to ensure Post is vertical in both directions as you tighten it to the floor.

#### **Concrete Wedge Anchor Installation.**

**To Ensure worker safety and OSHA compliance, only use the anchors provided by Nova Technology to secure this gate to your floor.**

- Using the 1/2" diameter Carbide-Tipped Concrete Drill Bit, drill holes in concrete floor a minimum of 3 3/4" deep. Be careful to not allow dust to fall back into hole.
- Install Washer and Nut onto threaded end of Concrete Anchor. Insert Anchor into drilled hole.
- Tap anchor into hole until 1 1/4" of Anchor remains above Floor.
- Repeat this procedure for the remaining 3 holes.
- Remove Nut and Washer from Anchors. Place Post Weldment over Anchors.
- Install Nuts and Washers onto Concrete Anchors.
- If needed, use Shims provided with Gate Kit to shim beneath corners of Plate until post is vertical.
- After snugging by hand, Tighten Nuts with 3/4-inch wrench 3-4 full turns to complete the fastening of Post Weldment to Floor.



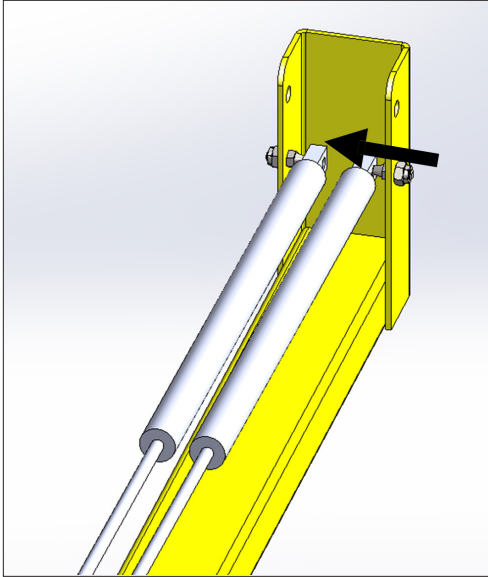
Step 4: Use 9/16 wrenches to install Rail assembly into lower bracket on Post. Support Rail assembly with 5-gallon pail or stand.

Use the following hardware to install Rail assembly to Post. Note nut welded on bracket.

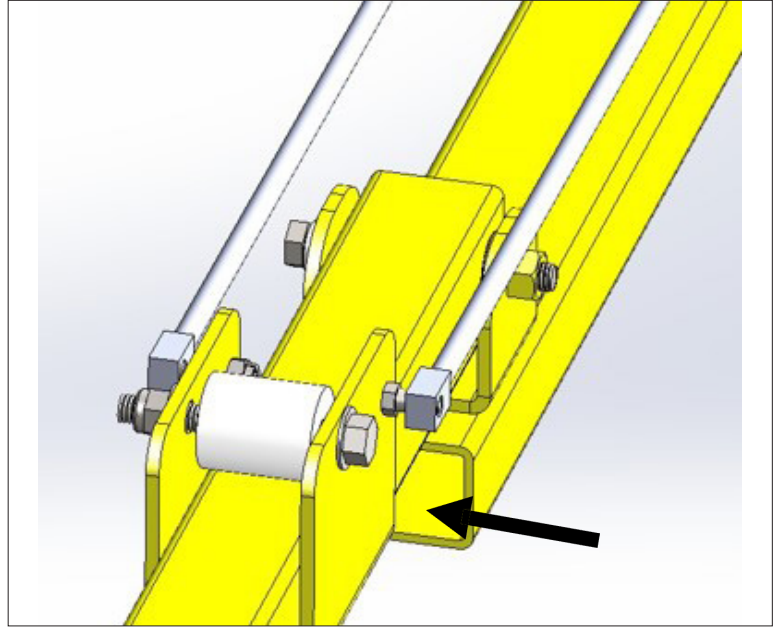
- Bolt 3/8" by 3.25" long
- Lock washer 3/8"
- Large Flat washer 3/8"

Do not tighten Bolt so much that it pinches the Bracket against the Bushings.

There must be clearance between Bracket and both Bushings.



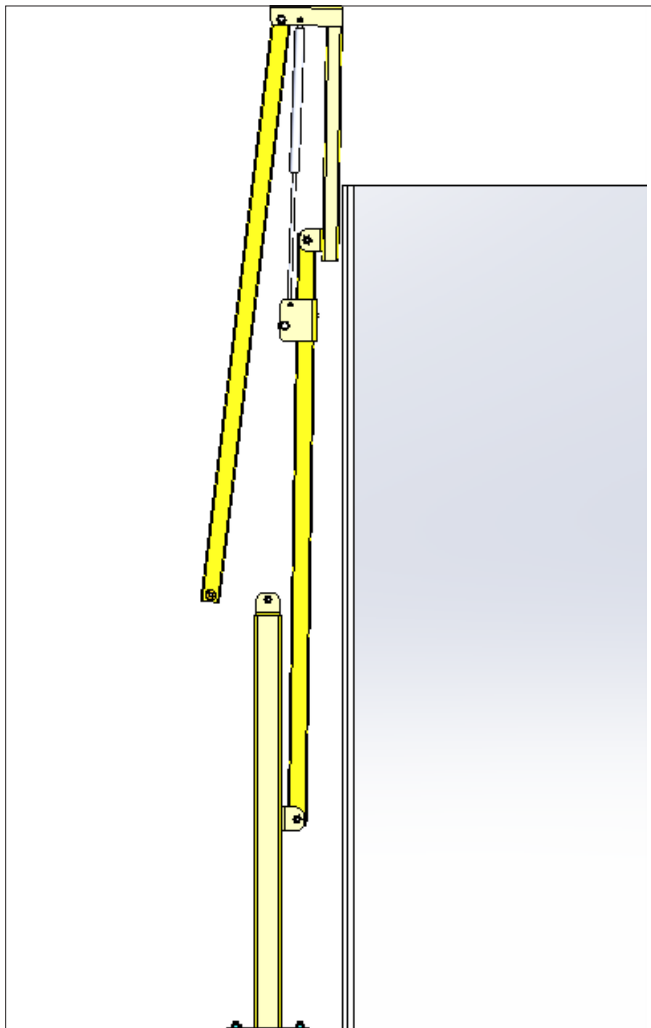
Step 5: Snap piston end (large end) of Strut onto Ball Mounts on Receiver Weld.



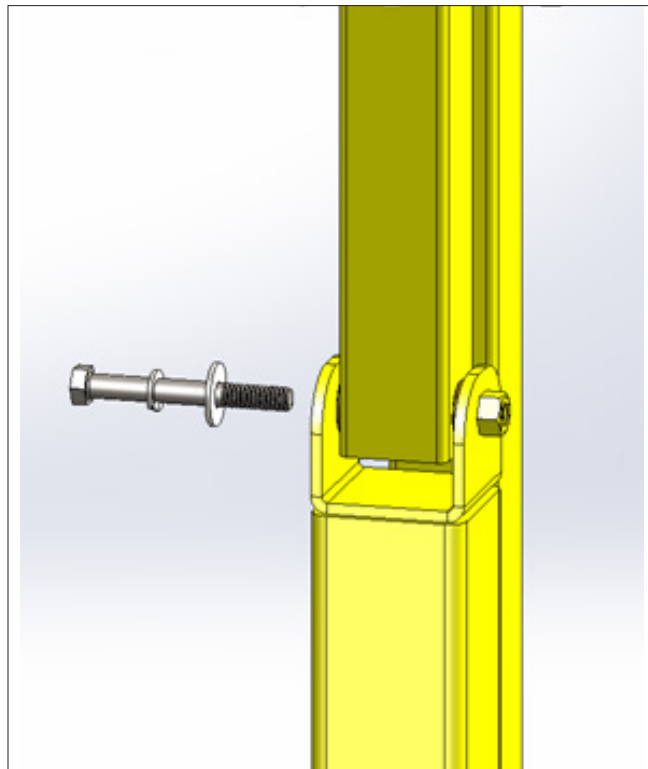
Step 6: Snap rod end (small end) of Strut onto Ball Mounts on Strut Mount as shown.

## NOTICE

To ensure safety, two people should perform steps 7 and 8.



Step 7: Working together, lift Gate Rails as assembled to a near vertical position.



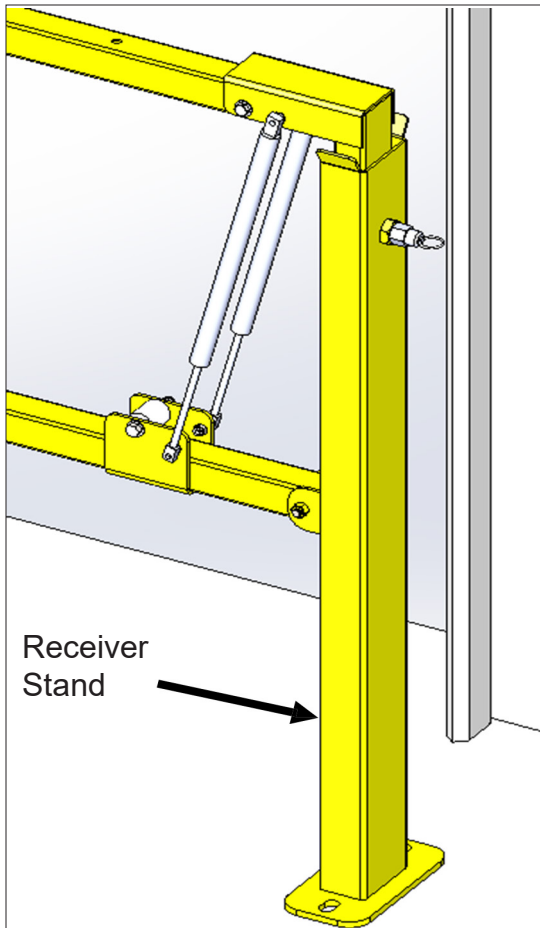
Step 8: Using a 9/16 wrench, Install second (top) Rail to top bracket on Post Weld.

Use the following hardware to install top Rail to Post. Note nut welded on Post bracket.

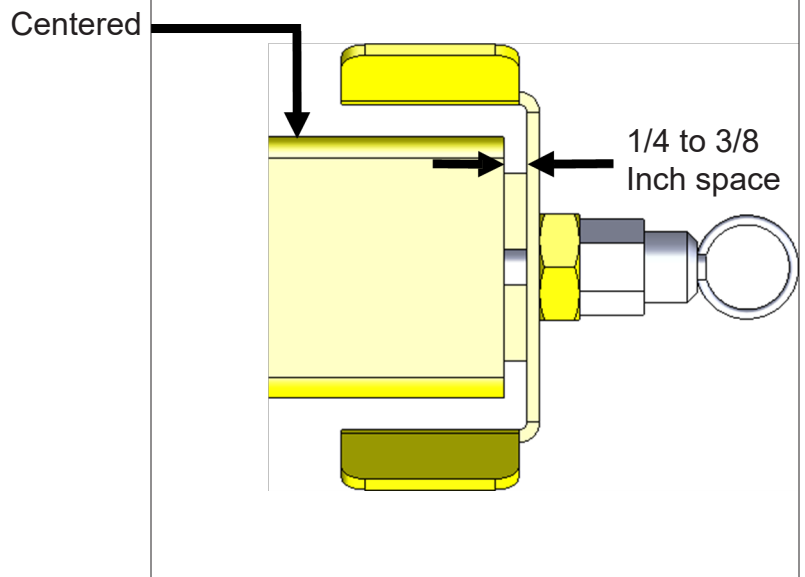
- Bolt 3/8" by 3.25" long
- Lock washer 3/8"
- Large Flat washer 3/8"

Do not tighten Bolt so much that it pinches the Bracket against the Bushings.

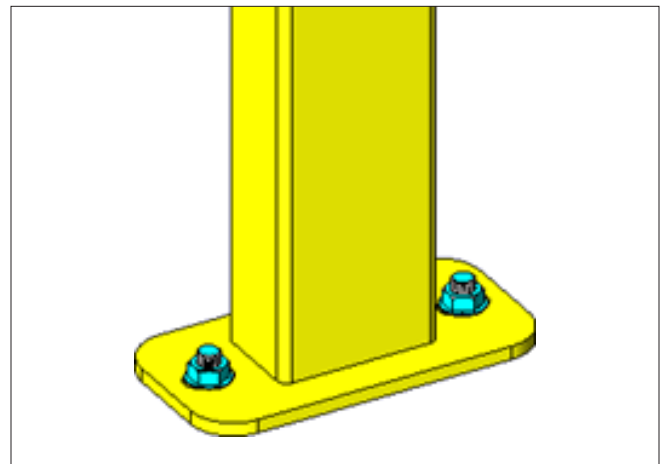
There must be clearance between Bracket and both Bushings.



Step 9: Place Receiver Stand into approximate position on far end of gate. Lower the rails as assembled, allowing the far end to rest inside the Receiver Stand.

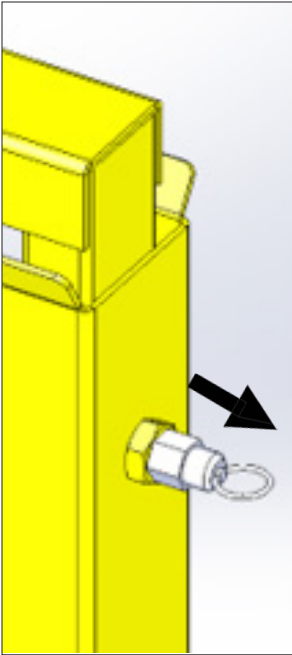


Step 10: Position the Receiver Stand so rails are centered and have approximately 1/4 to 3/8 inch end space as shown.



Step 11: Using the felt marker, transfer the 2 hole locations from the Plate to the concrete floor. As you did for the Post Weld, drill holes, install Anchors and use magnetic level and Shims to ensure Receiver Stand is vertical in both directions as you tighten it to the floor.

**To ensure worker safety and OSHA compliance, only use the anchors provided by Nova Technology.**



**Gate Operation:**

To Open Gate:

Pull Spring Plunger out and lift Gate to fully opened position.

To Close Gate:

Pull on open Rails. Gate will begin a controlled descent.  
Guide far end of Gate back into Receiver Post if necessary.  
Gate will engage Spring Plunger.



**WARNING**

**FALL HAZARD!**

Never sit on, climb on or stand on Gate.

Keep Gate closed when bay door is open and no truck is docked in the bay.

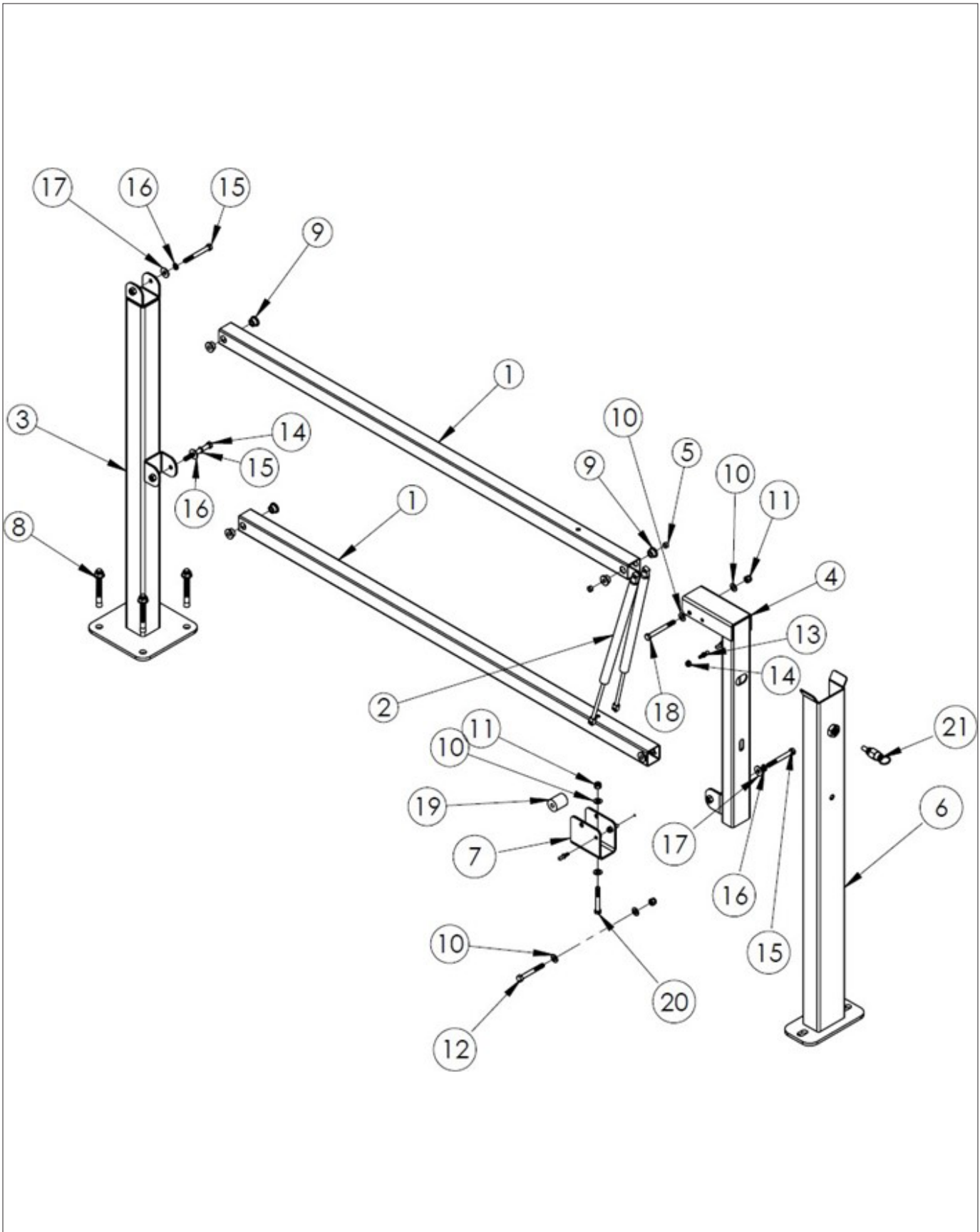
Always stand in front of Gate to close it. Never stand near fall edge to close Gate.



<b>#</b>	<b>PART #</b>	<b>DESCRIPTION</b>	<b>QTY</b>
1	NPG-824-461	*SEE NOTE BELOW FOR RAIL DETAILS	2
2	NPG-841451	*SEE NOTE BELOW FOR RAIL DETAILS	2
3	NPG-151-824	POST WELDMENT-SENTRYGUARD, YELLOW	1
4	NPG-251-824	RECEIVER POST-SENTRYGUARD, YELLOW	1
5	NPG-933651	SPACER-.38 ID	2
6	NPG-351-824	RECEIVER WELD-SENTRYGUARD, YELLOW	1
7	NPG-661-824	PLATE-STRUT ATTACHMENT-YELLOW	1
8	NPG-401451	.50 X 4.25 CONCRETE ANCHOR	6
9	NPG-388111	BUSHING-FLANGED-.38 ID X .50, LONG	8
10	NPG-112001	WASHER-FLAT-SAE .38	6
11	NPG-961001	NUT-PLASTIC LOCK .38	3
12	NPG-42001	HHCS .38 X 3.0 GR5 ZP	1
13	NPG-501451	BALL END FOR STRUT	4
14	NPG-480001	NUT-FLEXNUT-.31 FULL HT	4
15	NPG-623001	HHCS .38 X 3.25 GR5 ZP	3
16	NPG-39001	WASHER-SLITLOCK .38	3
17	NPG-621001	WASHER-FLAT .38	3
18	NPG-361001	HHCS .38 X 3.5 GR5 ZP	1
19	NPG-543651	BUMPER-RUBBER	1
20	NPG-320001	HHCS .38 X 2.75 GR5 ZP	1
21	NPG-020551	SPRING PLUNGER-LONG	1

**Notes:**

- Items 1 and 2 will vary depending on the length of your rail. Contact Nova Sales for help identifying your part number. Have length measurement of your rail handy.
- 1-800-236-7325    sales@novalocks.com



**This page intentionally left blank.**



**W141N9240 Fountain Blvd Menomonee Falls, WI 53051**  
**Phone 262-502-1591 | 800-236-7325**  
**[www.novalocks.com](http://www.novalocks.com)**