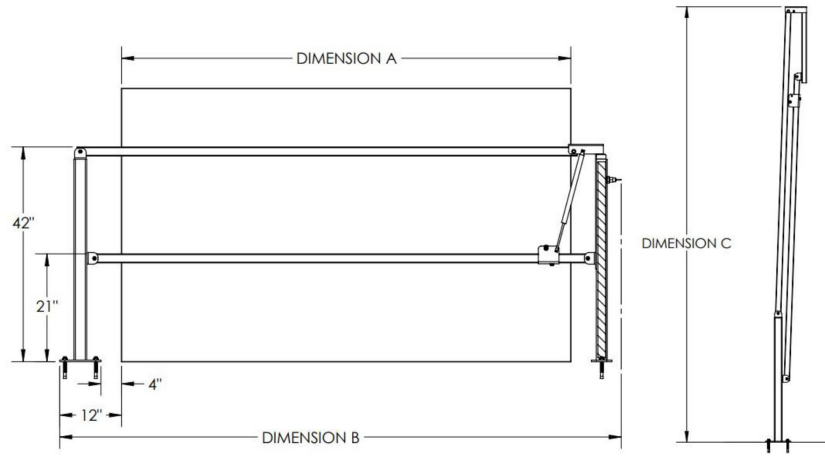


NOVA PEDESTRIAN GATE (SINGLE)

SURVEY



How to Measure: Pedestrian Vertical Lifting Cantilever Gate (Single)

- Measure or determine the clear working opening needed dimension A: _____
- Dimension B will automatically be 20" greater than dimension A: _____
- Dimension C will automatically be 49" greater than dimension A: _____

Company Name: _____

Contact Name: _____

Contact Phone: _____



WARNING: Cancer and Reproductive Harm-www.P65Warnings.ca.gov