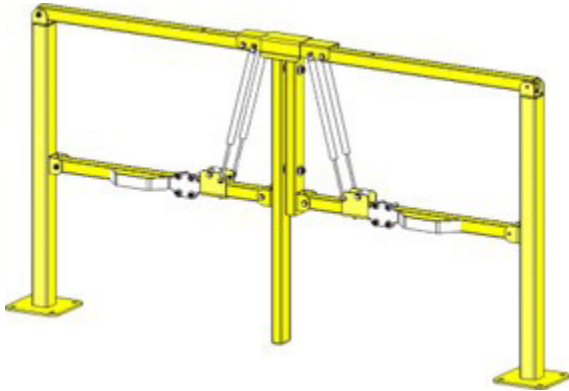


NOVA PEDESTRIAN GATE (SPLIT) INSTALLATION INSTRUCTIONS



NOTICE

BEFORE INSTALLING GATE:

Read, understand and follow these instructions for the installation and use of this gate.

Ensure there are no overhead obstructions, air lines, electrical cables, lights or door tracks which may interfere with opening and closing this gate.

! WARNING

Fall Hazard! Working next to an open, elevated bay door is dangerous. A fall may result in serious injury or death.

To ensure safety, installation of this gate must be performed with the bay door closed. If no bay door is present, workers must be tied off using an OSHA compliant Fall Arrest System rigged in fall restraint mode.

NOTICE

To ensure safety, two people must perform the installation of this gate.

The Nova Pedestrian Gate is designed to prevent workers from falling through an open bay door or over a similar fall edge. It meets OSHA 1910.28 "Duty to Provide Protection" and 1920.29 "Fall Protection Systems-Criteria and Practices."

It is not intended to stop a fork truck or any other powered mobile equipment.

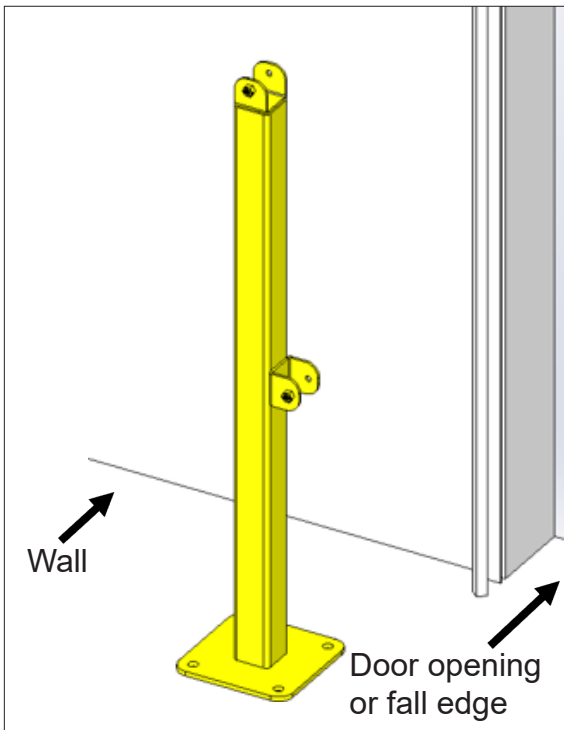


Tools needed to install this Gate:

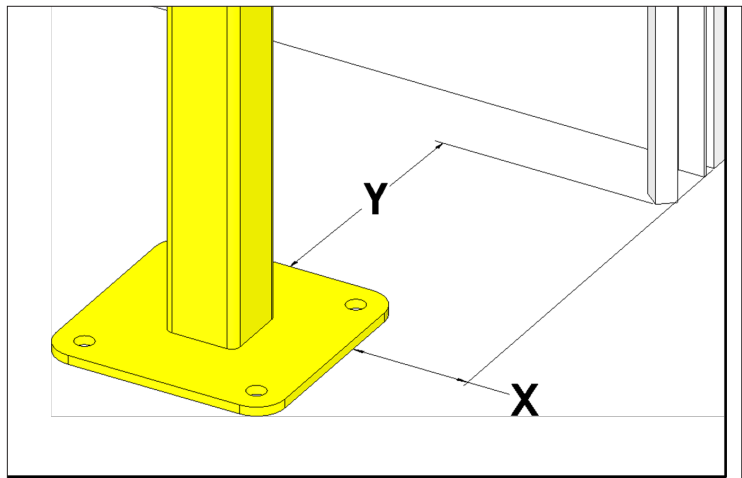
- Hammer drill and 1/2-inch diameter carbide-tipped concrete drill bit, 8 inches long minimum.
- Pairs of combination wrenches: 3/4, 9/16 and 1/2 inch.
- Rubber mallet.
- Small flat blade screwdriver.
- Magnetic level.
- Tape measure or framing square to perform step 2.
- 5-gallon pail or stand around 18 inches tall to rest Gate Rails on during assembly.
- “Sharpie” or other felt marker for marking Post locations.
- 3/8-16 UNC tap to clean out possible powder coat from welded nuts.

NOTICE

To ensure safety, two people must perform the installation of this gate.



Step 1: Place Post Weldment on side of Bay Door from which you want the gate to swing up.

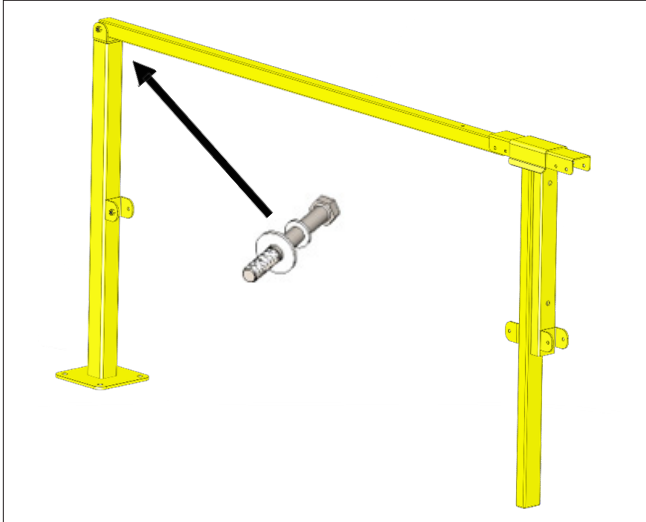


Step 2: Locate Post Weldment based on dimensions shown.

X= 7 inches from side of bay door opening.

Y= 9 inches from point on door track.

Using the felt marker, transfer (1) hole location from the Plate to the concrete floor.



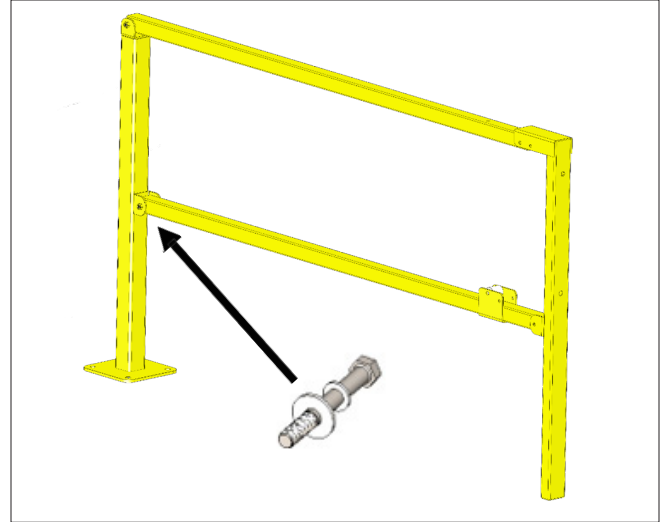
Step 3: Use 9/16 wrench to install top Rail into bracket on top of Post.

Use the following hardware to install Rail to Post. Note nut welded on bracket.

- Bolt 3/8" by 3.25" long
- Lock washer 3/8"
- Large Flat washer 3/8"

Do not tighten Bolt so much that it pinches the Bracket against the Bushings.

There must be clearance between Bracket and both Bushings.



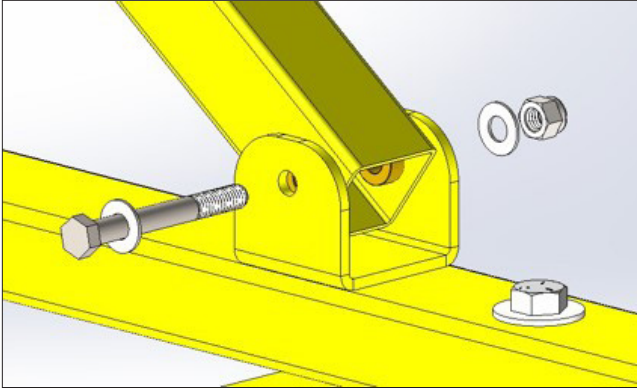
Step 4: Use 9/16 wrench to install bottom Rail into bracket on center of Post.

Use the following hardware to install Rail to Post. Note nut welded on bracket.

- Bolt 3/8" by 3.25" long
- Lock washer 3/8"
- Large Flat washer 3/8"

Do not tighten Bolt so much that it pinches the Bracket against the Bushings.

There must be clearance between Bracket and both Bushings.

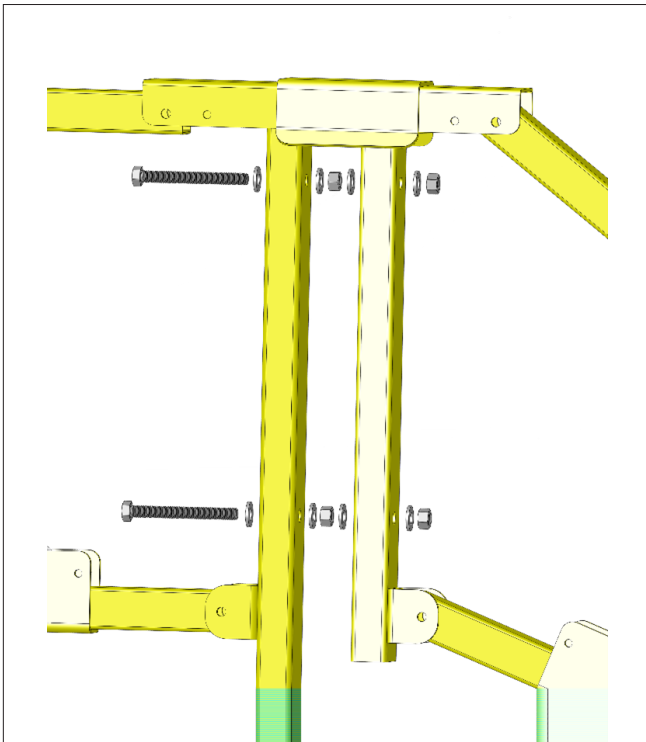
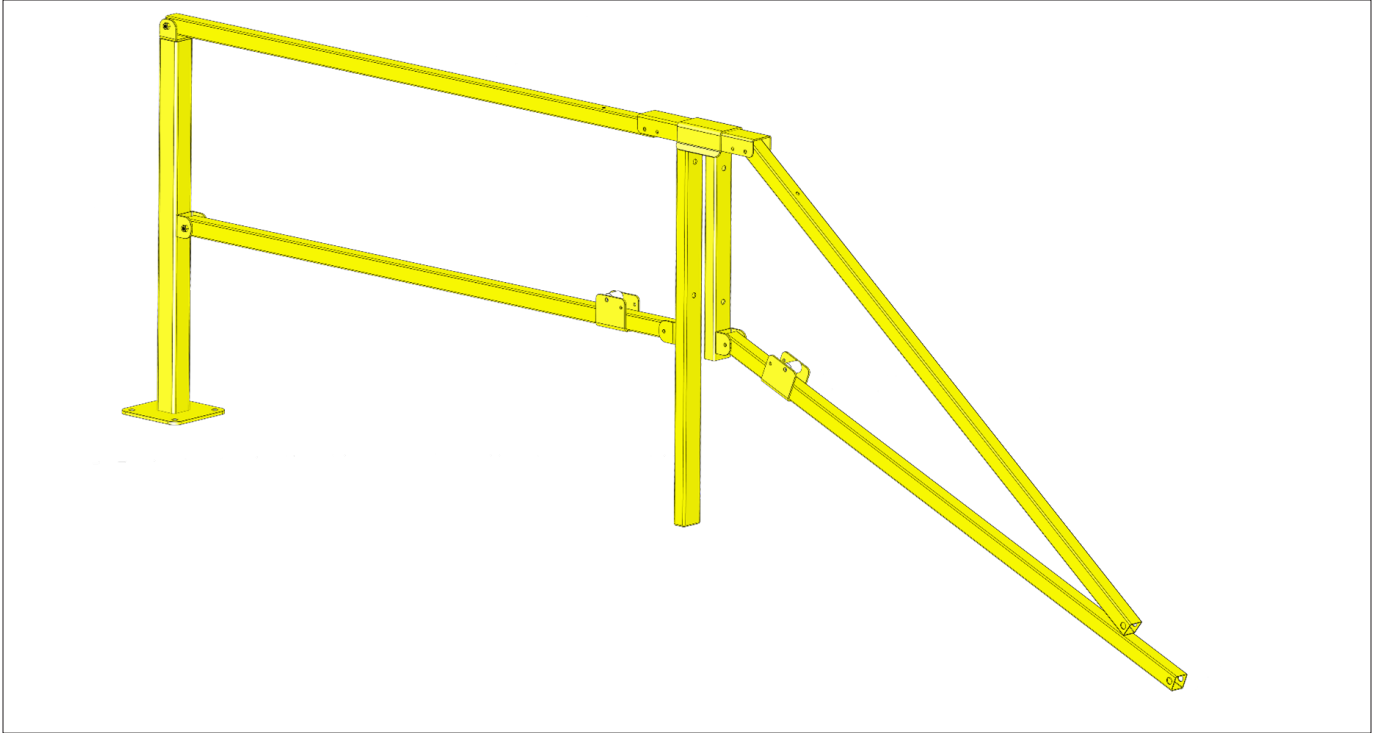


Step 5: Use the following hardware to install the lower Rail to center support:

- Bolt 3/8" by 3.25 long
- Lock nut 3/8"
- SAE (smaller) Flat washer 3/8" (qty. 2)

Do not tighten Bolt so much that it pinches the Bracket against the Bushings.

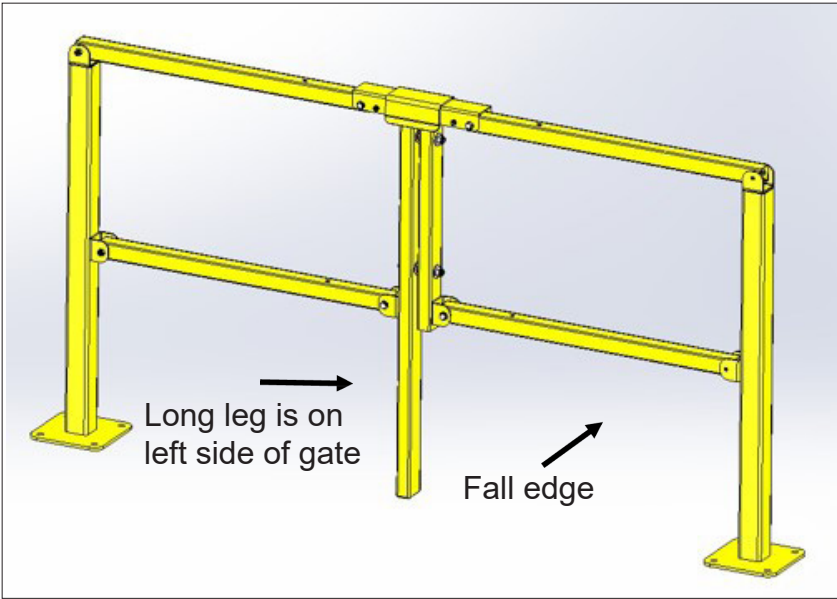
There must be clearance between Bracket and both Bushings.



Step 6: Use the following hardware to bolt together left and right center supports:

- Bolt 1/2" by 4.5" long (qty. 2)
- Washer 1/2" (qty. 8)
- Nut 1/2" (qty. 4)

The center flat washers and nuts are used to maintain the proper spacing between the center supports.



Step 7: Install top and bottom rails of right side assembly to post using same hardware as installing left side.

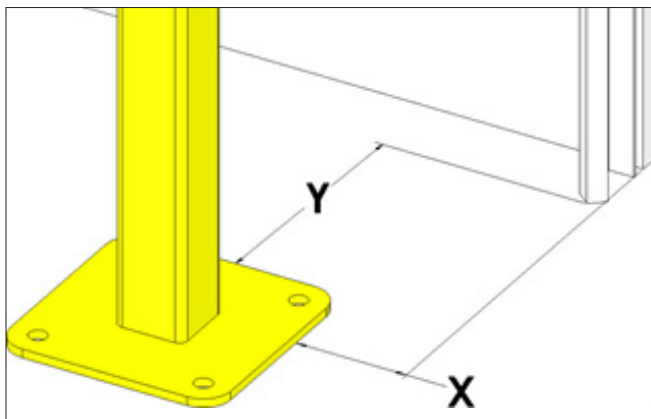
! WARNING

Fall Hazard! Working next to an open, elevated bay door is dangerous. A fall may result in serious injury or death.

To ensure safety, installation of this gate must be performed with the bay door closed. If no bay door is present, workers must be tied off using an OSHA compliant Fall Arrest System rigged in fall restraint mode.

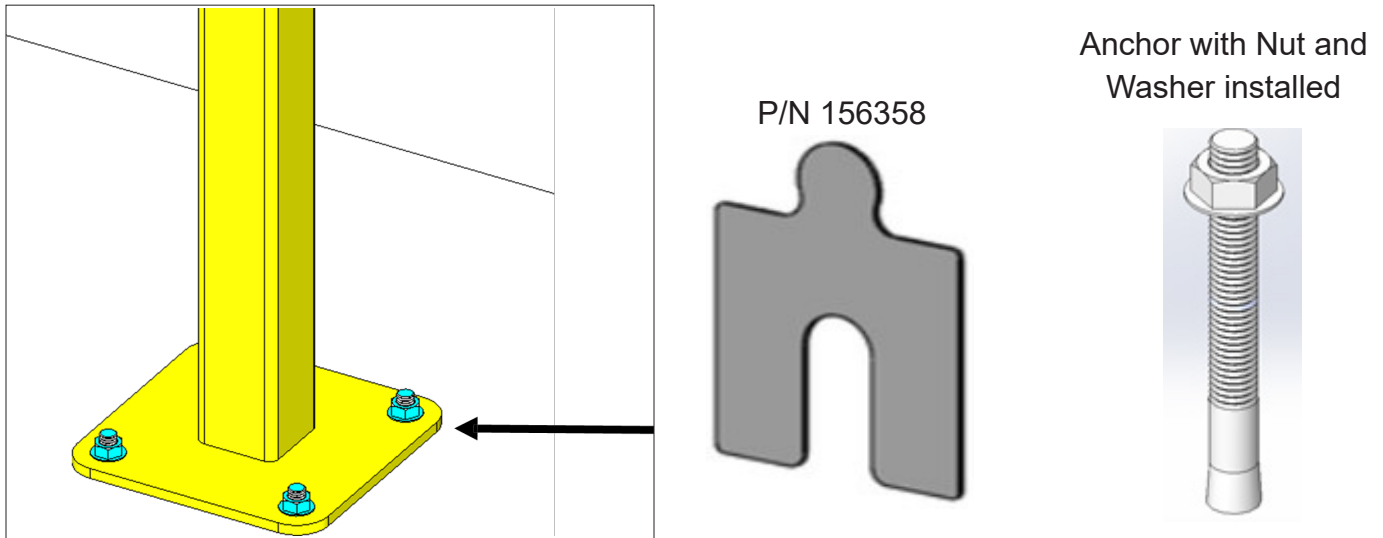
Step 8: Move assembled gate and place the left hinge post on the locating lines you drew on the floor in steps 1 and 2. Square the gate to the walls on both ends making sure gate is parallel to the fall edge.

One person will steady the gate while the other match drills through the 4 holes in the left hinge post mounting plate.



See drilling procedure and post anchoring instructions on the next page. Drill and anchor both posts to floor before proceeding to the next step.

To ensure worker safety and OSHA compliance, only use anchors provided by Nova Technology.



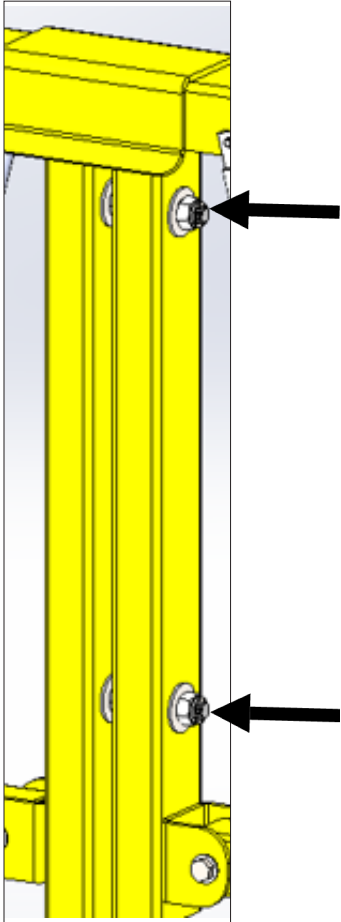
NOTE: See instructions below for drilling and installing concrete wedge anchors.

1. Set Post back in place. Tap Anchor into drill hole with Nut and Washer attached.
2. Re-square Plate to Wall and snug Anchor by tightening Nut.
3. Using the Plate as a guide, drill hole and install Anchor in opposite diagonal corner.
4. Drill the last (2) holes and install Anchors in the remaining corners. Snug these Anchors.
5. Check Post for Plumb using your magnetic level.
6. Use Shims provided in Gate Kit to ensure Post is vertical in both directions as you tighten it to the floor.

Concrete Wedge Anchor Installation.

To Ensure worker safety and OSHA compliance, only use the anchors provided by Nova Technology to secure this gate to your floor.

- Using the 1/2" diameter Carbide-Tipped Concrete Drill Bit, drill holes in concrete floor a minimum of 4" deep. Be careful to not allow dust to fall back into hole.
- Vacuum dust from drilled hole.
- Install Washer and Nut onto threaded end of Concrete Anchor. Insert Anchor into drilled hole.
- Tap anchor into hole until 1 1/4" of Anchor remains above Floor.
- Repeat this procedure for the remaining 3 holes.
- Remove Nut and Washer from Anchors. Place Post Weldment over Anchors.
- Install Nuts and Washers onto Concrete Anchors.
- If needed, use Shims provided with Gate Kit to shim beneath corners of Plate until post is vertical.
- After snugging by hand, Tighten Nuts with 3/4-inch wrench 3-4 full turns to complete the fastening of Post Weldment to Floor.



Step 9: Unbolt Middle Gate Assembly. Discard Hardware.

Before Installing Struts.

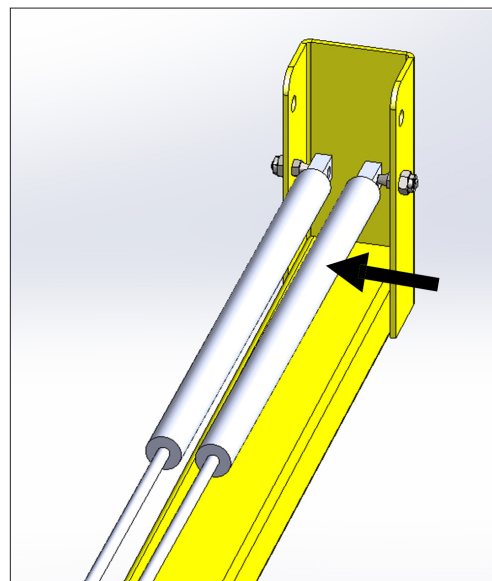


Step 10: Depending on the size of your gate all (4) Struts may not have the same force rating.

Look at the piston end (large end) of each strut.

Check the part numbers. If they are all the same you can install them in matched pairs.

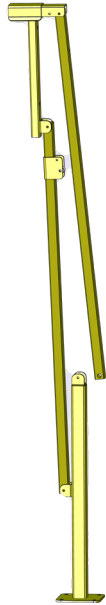
If (2) are different from the other (2), you will need to install one of each part number on the left and right side of the gate (unmatched pairs) to ensure the same overall force rating on both sides of the gate.



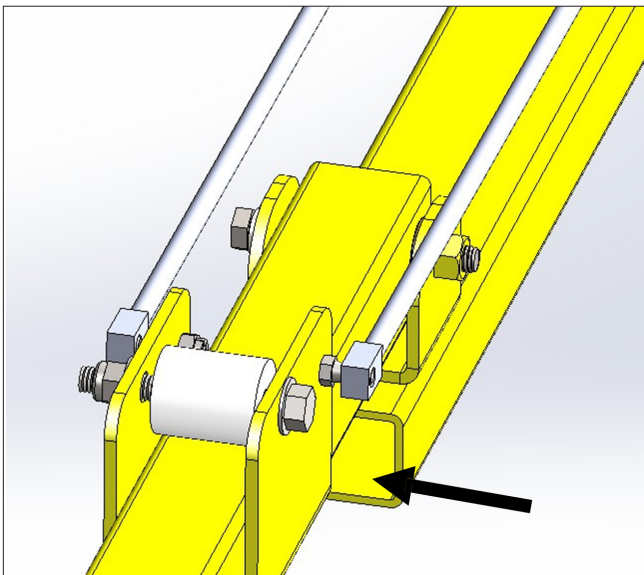
Step 11: Snap piston end (large end) of Strut onto Ball Mounts on Receiver Weld.

NOTICE

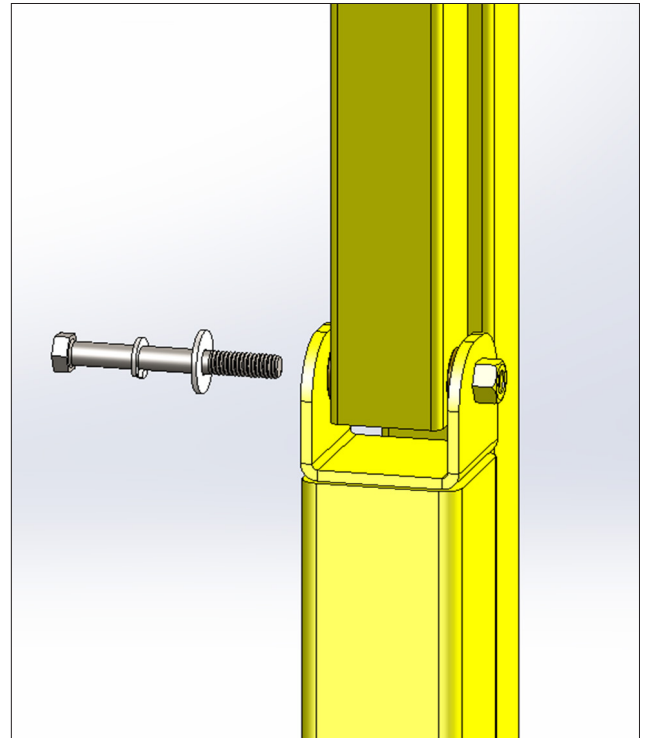
To ensure safety, two people should perform steps 12-14.



Step 12: One Installer will raise right side of Gate and hold it in the upright position. The other Installer will remove the Bolt and Washer top of the Hinge Post.



Step 13: Snap rod end (small end) of Strut onto Ball Mounts on Strut Mount as shown.



Step 14: Using a 9/16 wrench, re-install (top) Rail to top bracket on Post Weld.

Use the following hardware to install top Rail to Post. Note nut welded on Post bracket.

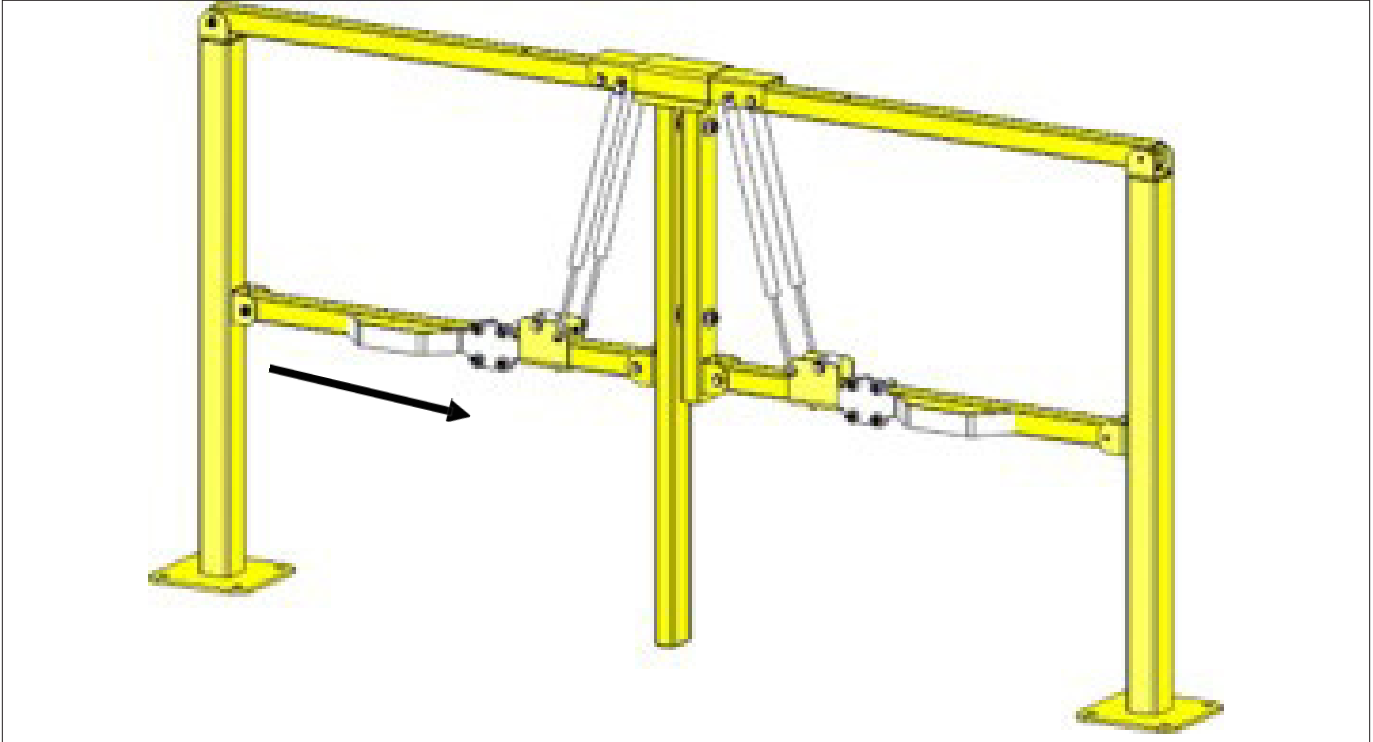
- Bolt 3/8" by 3.25" long
- Lock washer 3/8"
- Large Flat washer 3/8"

Do not tighten Bolt so much that it pinches the Bracket against the Bushings.

There must be clearance between Bracket and both Bushings.

Once top rail is re-installed, lower right Gate.

Repeat steps 10-14 to install Struts on left side Gate.



Step 15: Loosen nuts on left side handle and slide handle to the right position as shown. Retighten nuts on handle.

! WARNING

FALL HAZARD!

Never sit on, climb on or stand on Gate.
Keep Gate closed when bay door is open and no truck is docked in the bay.
Always stand in front of Gate to close it. Never stand near fall edge to close Gate.

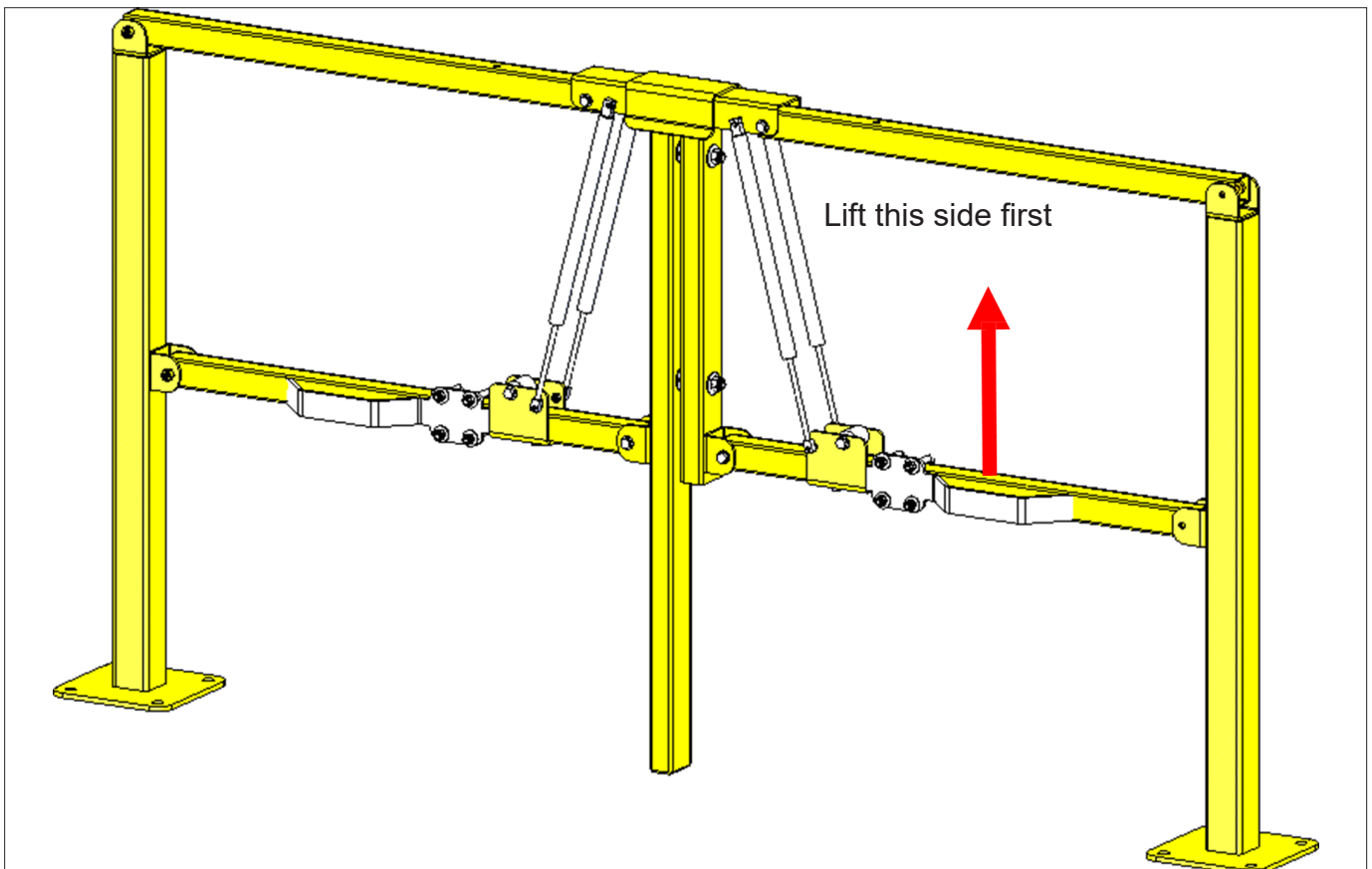
Gate Operation:

To Open Gate:

Lift Right side of gate (the side with the short leg) first. See RED Arrow below. Gate will be held in the UP position by the struts. Open the other side of gate next.

To Close Gate:

Lower the Left side of gate (the side with the long leg) first. The gate will descend slowly as the struts resist the downward travel of the gate. Close the other side of gate next.

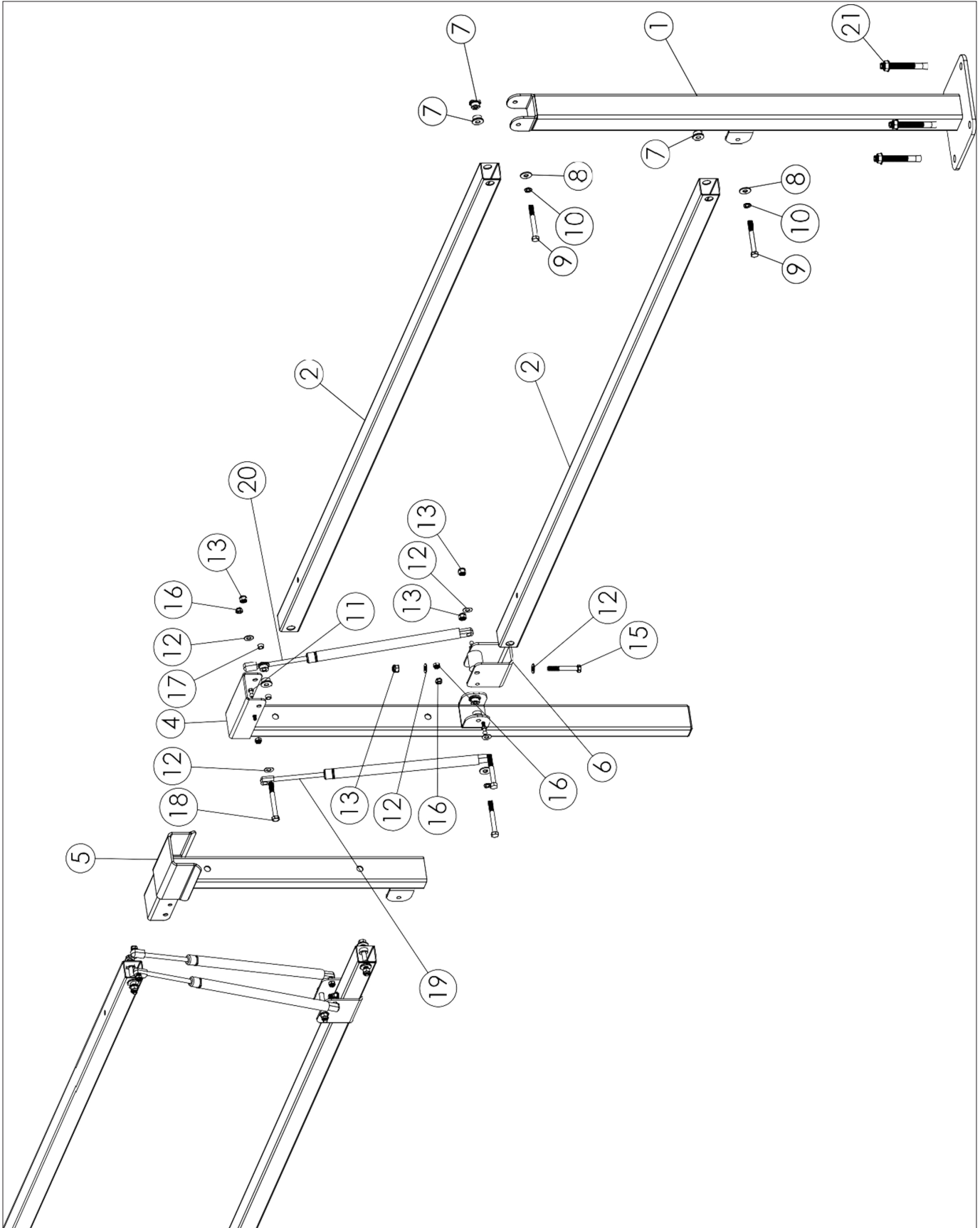


This page intentionally left blank.

#	PART #	DESCRIPTION	QTY	
1	428-151-001	POST WELDMENT-SENTRYGUARD-YELLOW	2	
2	*	SEE NOTE BELOW FOR RAIL DETAILS		
3	NPG-543651	BUMPER-RUBBER	2	
4	NPG-371-824	CENTER POST-LONG-YELLOW	1	
5	NPG-671-824	CENTER POST-SHORT-YELLOW	1	
6	NPG-661-824	PLATE-STRUT ATTACHMENT-YELLOW	2	
7	NPG-388111	BUSHING-FLANGED-.38 ID X .50 LG	16	
8	NPG-621001	WASHER-FLAT .38	4	
9	NPG-623001	HHCS .38 X 3.25 GR5 ZP	2	
10	NPG-390001	WASHER-SPLITLOCK .38	4	
11	NPG-501451	BALL END FOR STRUT	8	
12	NPG-112001	WASHER-FLAT-SAE .38	16	
13	NPG-961001	NUT-PLASTIC LOCK .38	8	
14	NPG-42001	HHCS .38 X 3.0 GR5 ZP	6	
15	NPG-320001	HHCS .38 X 2.75 GR5 ZP	2	
16	NPG-480001	NUT-FLEXNUT-.31 FUL HT	8	
17	NPG-933651	SPACER-.38 ID	4	
18	NPG-361001	HHCS .38 X 3.5 GR5 ZP	2	
19	*	SEE NOTE BELOW FOR STRUT DETAILS	2	Sometimes there is QTY 4 of 1 strut, others there are 2 separate struts
20	*	SEE NOTE BELOW FOR STRUT DETAILS	2	All split gates have QTY 4 total struts
21	NPG-401451	.50 X 4.25 CONCRETE ANCHOR	8	

Notes:

- Items 2, 19 and 20 will vary depending on the length of your rail. Contact Nova Sales for help identifying your part number. Have length measurement of your rail handy.
- 1-800-236-7325 sales@novalocks.com



This page intentionally left blank.



W141N9240 Fountain Blvd Menomonee Falls, WI 53051
Phone 262-502-1591 | 800-236-7325
www.novalocks.com