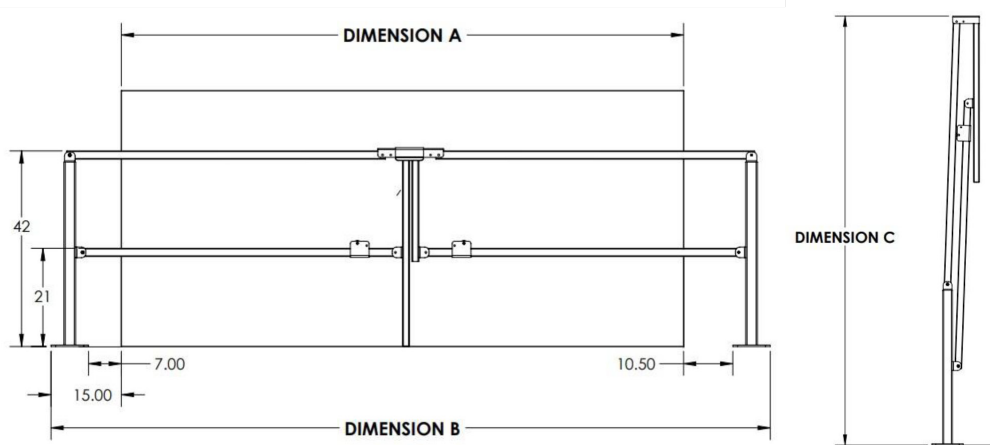


# NOVA PEDESTRIAN GATE (SPLIT)

## SURVEY



### How to Measure: Pedestrian Vertical Lifting Cantilever Gate (Split)


- Measure or determine the clear working opening needed dimension A: \_\_\_\_\_
- Dimension B will automatically be 33.5" greater than dimension A: \_\_\_\_\_
- Dimension C will automatically be dimension A divided by 2, plus 49": \_\_\_\_\_

Company Name: \_\_\_\_\_

Contact Name: \_\_\_\_\_

Contact Phone: \_\_\_\_\_



 **WARNING:** Cancer and Reproductive Harm-[www.P65Warnings.ca.gov](http://www.P65Warnings.ca.gov)